

Experience a burst of colours and creativity with high brightness and remarkable lumen efficiency, allowing you to transform any space into a vibrant and dynamic environment.

The liniLED® PCB R RGB 600 LED strip offers flexibility with 50mm cutting sections, enabling precise customization to fit your unique lighting design requirements. The longevity of the product is coupled with outstanding lumen maintenance, ensuring a consistent and brilliant performance throughout its lifespan.

Boasting 120 LEDs per meter, this RGB LED strip provides an extensive and even distribution of light, allowing for intricate and captivating lighting effects. We stand behind the reliability of our product with a solid 3-year warranty.

For the latest version of this datasheet, visit our website: <https://www.triolight.com/en/led-products/led-strips>

### USPs

- High brightness and lumen efficiency
- 50mm cutting sections
- Long lifespan with great lumen maintenance
- 120 leds per meter
- 3 year warranty

### Available colours

| Colour  | Description            |
|---|------------------------|
| <span style="color: red;">●</span> <span style="color: green;">●</span> <span style="color: blue;">●</span> RGB | liniLED® PCB R RGB 600 |



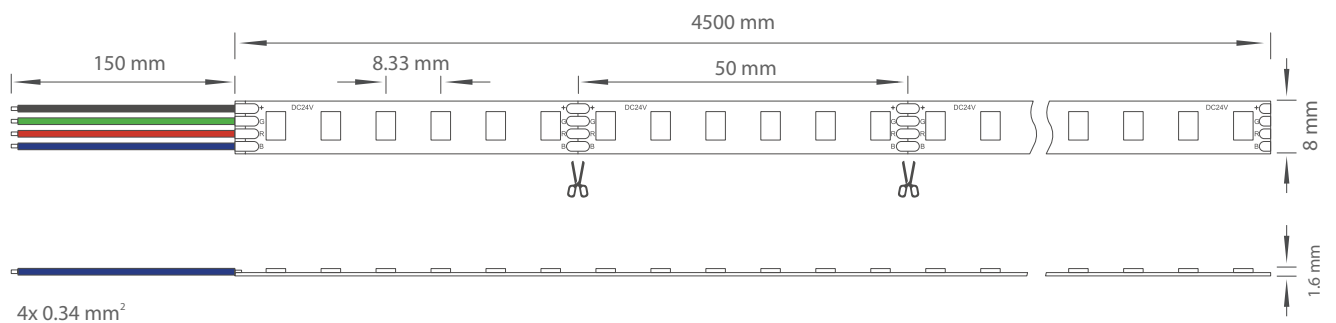
## Technical specifications

### RGB

|                        |                                  |
|------------------------|----------------------------------|
| Product code           | RP06-RGB                         |
| Power (24V DC)         | 19.2 W/m                         |
| CCT                    | RGB                              |
| CRI                    | /                                |
| Luminous flux          | 614 lm/m                         |
| Luminous efficiency    | 32 lm/W                          |
| Spool length           | 4.5 m                            |
| Section length         | 50 mm                            |
| LED type               | 4040                             |
| Number of LEDs         | 120 pcs                          |
| Max. connection length | 4.5 m                            |
| Min. operating voltage | 23V DC                           |
| Max. operating voltage | 25V DC                           |
| Width                  | 8 mm                             |
| Height                 | 1.6 mm                           |
| Dimmable               | PWM, 0-10V, DALI and DMX dimming |
| MacAdam Steps          | 3 Steps                          |
| Type of protection     | IP00                             |
| Storage temperature    | -20°C ... +60°C                  |
| Operating temperature  | -20°C ... +70°C                  |

Typical measured values are given, which due to tolerances in components and production process can vary up to 10%.

## Product drawings



## Power consumption

To power the liniLED® LED strips and lighting fixtures, a power supply from the liniLED® Power assortment can be selected. Selection of the correct power supply must be done by taking the total requested power and the environment into account.

The total power consumption can be calculated by summing the requested power of all connected products. To calculate the power consumption of a single length of LED strip, use the equation below. The typical equation is valid if the product is supplied by a 24 V DC constant voltage power supply. If the output voltage of a power supply is increased, the power consumption will increase with the same ratio and needs to be corrected by using the optional part of the equation found between brackets.

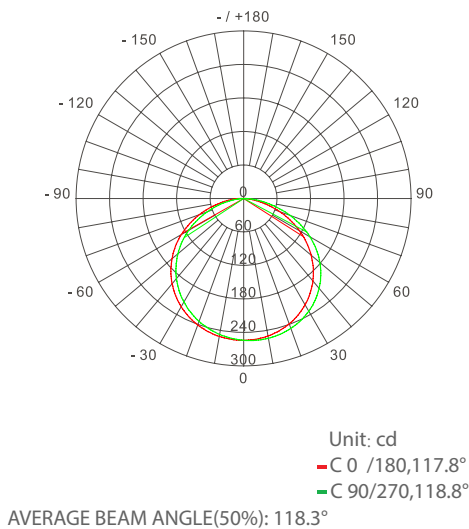
$$P_{STRIP} = P_{PRODUCT} \times X_{LENGTH} \times 110\% \left[ \times \frac{U_{SUPPLY}}{24} \right]$$

- $P_{STRIP}$**  Calculated power consumption of one LED strip in Watt
- $P_{PRODUCT}$**  Typical power consumption in Watt per metre of the selected LED strip  
This value can be found under 'Product characteristics' on page 2
- $X_{LENGTH}$**  Length of the connected LED strip in metres
- 110% Safety margin to buffer differences over all production batches
- Optional:
- $U_{SUPPLY}$**  Set supply voltage of the power supply in Volt
- 24** Nominal supply voltage of liniLED® in Volt

## Photometric information

In the process of lighting design and calculations, the luminous flux and beam angle alone are not enough information to create a representative and realistic calculation or render. There is a set of photometric files for each LED strip type, available in two different file formats:

- Eulumdat (.ldt)
- IES LM-63-1995 (.ies)

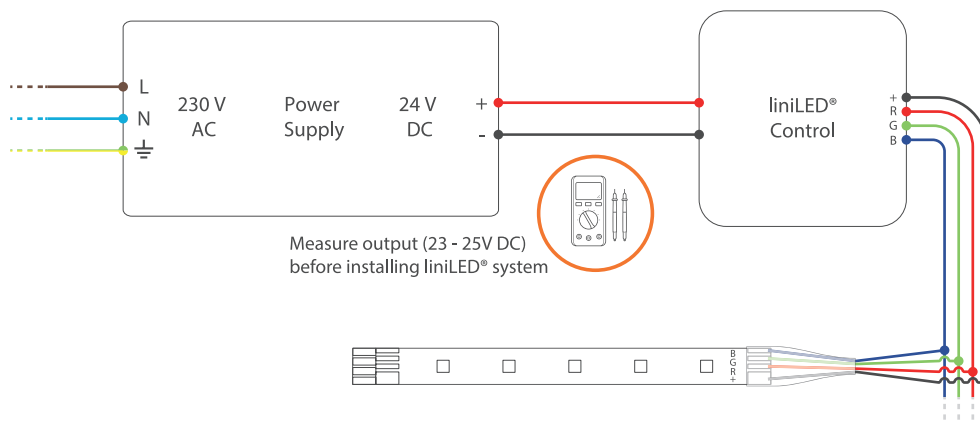


| Height | Eavg, Emax    | Beam Angle: 111.30° | Diameter |
|--------|---------------|---------------------|----------|
| 0.3m   | 896.1,2937lx  |                     | 87.79cm  |
| 0.6m   | 224.0,734.1lx |                     | 175.58cm |
| 0.9m   | 99.57,326.3lx |                     | 263.37cm |
| 1.2m   | 56.01,183.5lx |                     | 351.16cm |
| 1.5m   | 35.84,117.5lx |                     | 438.96cm |
| 1.8m   | 24.89,81.57lx |                     | 526.75cm |
| 2.1m   | 18.29,59.93lx |                     | 614.54cm |
| 2.4m   | 14.00,45.88lx |                     | 702.33cm |
| 2.7m   | 11.06,36.25lx |                     | 790.12cm |
| 3.0m   | 8.961,29.37lx |                     | 877.91cm |

Flux Out: 556.9lm 4000K

Note: the above data is based on RP06-RGB at RGB. For other data, please consult sales rep.

## Power and connection diagram



## Disclaimer

The published information is checked to be as accurate as possible, however Triolight B.V. or any reseller of liniLED® cannot be held liable for any damages resulting from misprints, errors, modifications or outdated information. No legal rights can be derived from this document. Triolight B.V. reserves the right to modify the information without informing the customers. Please check for the latest version on [www.triolight.com](http://www.triolight.com). This product should not be used in applications, devices or systems where incorrect operation of the product may result in personal injury (includes emergency lighting) without written permission from the board of Triolight B.V. If nevertheless used in such applications, devices or systems, Triolight B.V. cannot be held liable for any resulting injury. liniLED® is a registered trademark of Triolight B.V.

## Symbols



Manufacturer's declaration that the product meets the applicable EC directives.



Operating voltage of 24 V DC.



Electro Static Discharge (ESD) sensitive device, apply standard ESD precautions when handling the product.



Restriction of Hazardous Substances (RoHS): product complies with the RoHS directive and each homogeneous material does not exceed the limits for the materials mentioned under the RoHS directive (Pb, Hg, Cd, Cr6+, PBB and PBDE).



Not protected against ingress of solid foreign objects. Not-protected against ingress of water.



White colour consistency up to 2 SDCM ellipse over an entire single strip length. LEDs used are single BIN 3 SDCM ellipse, but their careful combination in a LED strip during the production process, results in a mixed light through a diusive material which is within a 2 SDCM ellipse (probability >90%). Due to variability this is not legally binding. The guaranteed colour consistency can be found in the technical specifications.



System guarantee of 3 years when the complete system consist of liniLED® products with the 3 years system warranty logo. Terms & conditions apply.